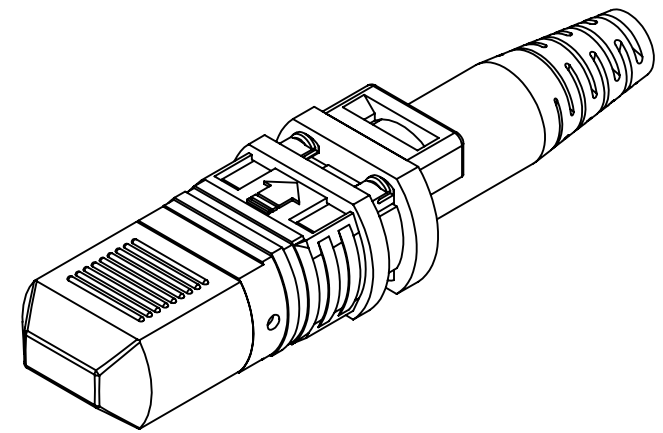
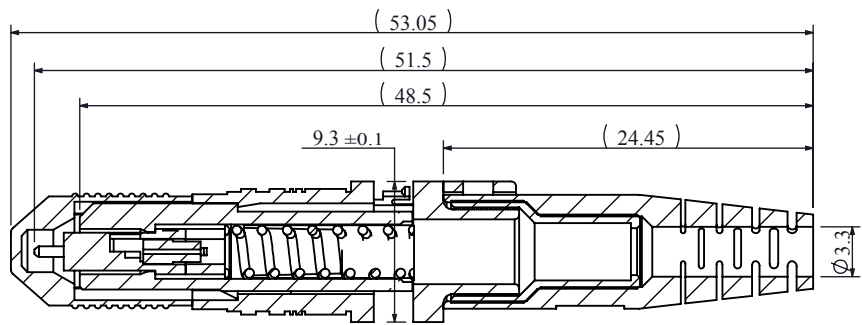
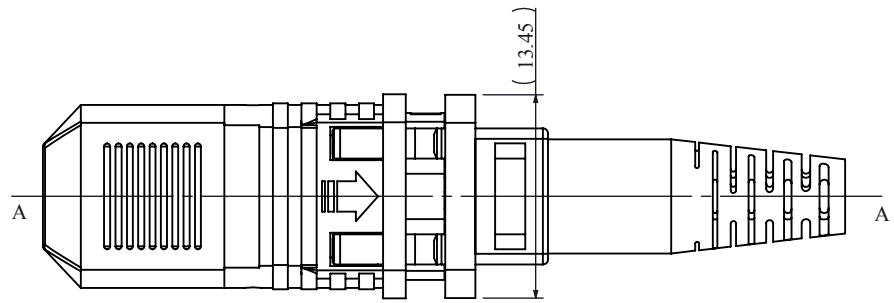


Version	Date	Amending content	Edior
A/0	2020.05.28	New issue	YHB



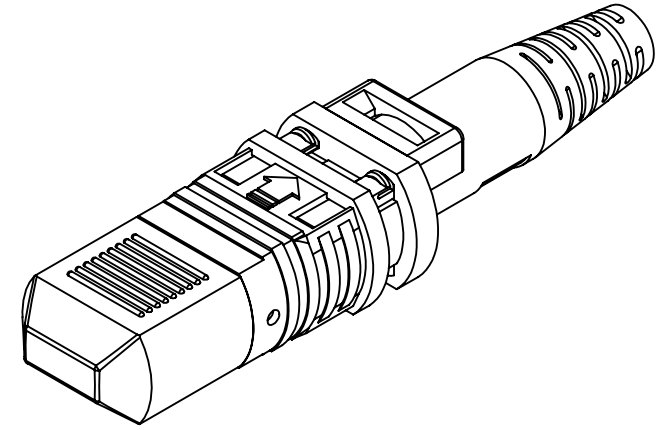
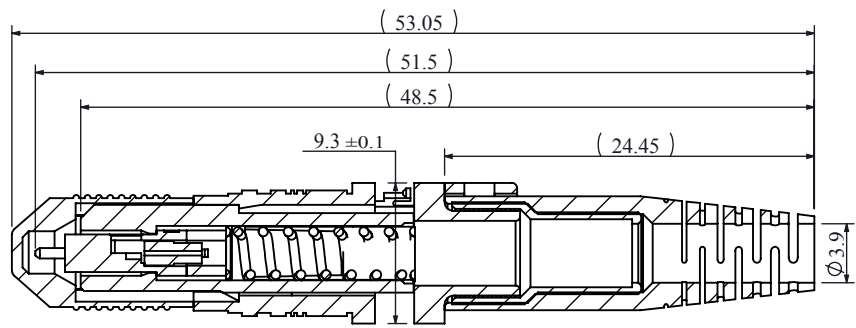
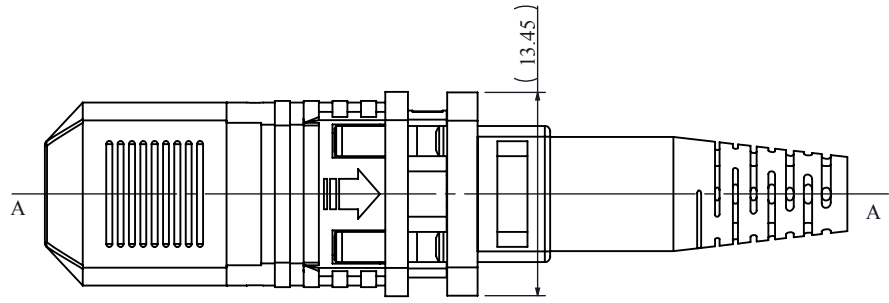
Name	MPO with lock connector(round cable 3.0mm)		
Material Name	/	Drawing No	H2-A-0302MP-033
Drawing	Y H B	Date	2020.05.28
Check	Z S F	Version	A/0
Approval	W X B	Unit :mm	



HYC

Page :1-1

Version	Date	Amending content	Edior
A/0	2020.05.28	New issue	YHB



Name	MPO with lock connector(round cable 3.6mm)		
Material Name	/	Drawing No	H2-A-0302MP-034
Drawing	Y H B	Date	2020.05.28
Check	Z S F	Version	A/0
Approval	W X B	Unit:mm	⊕ ⊖

